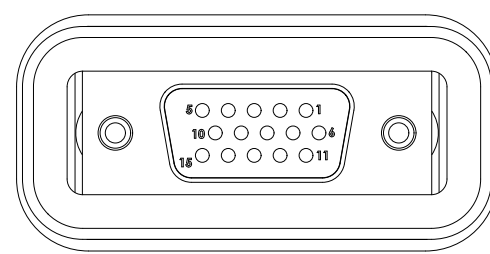


1

2

3

4



DB15 FEMALE
SCALE 1.500

REVISIONS			
REV	DESCRIPTION	DATE	APPROVED
A	INITIAL RELEASE PER ECO 21-27612	05/20/21	K.DUBROWN

A

A

B

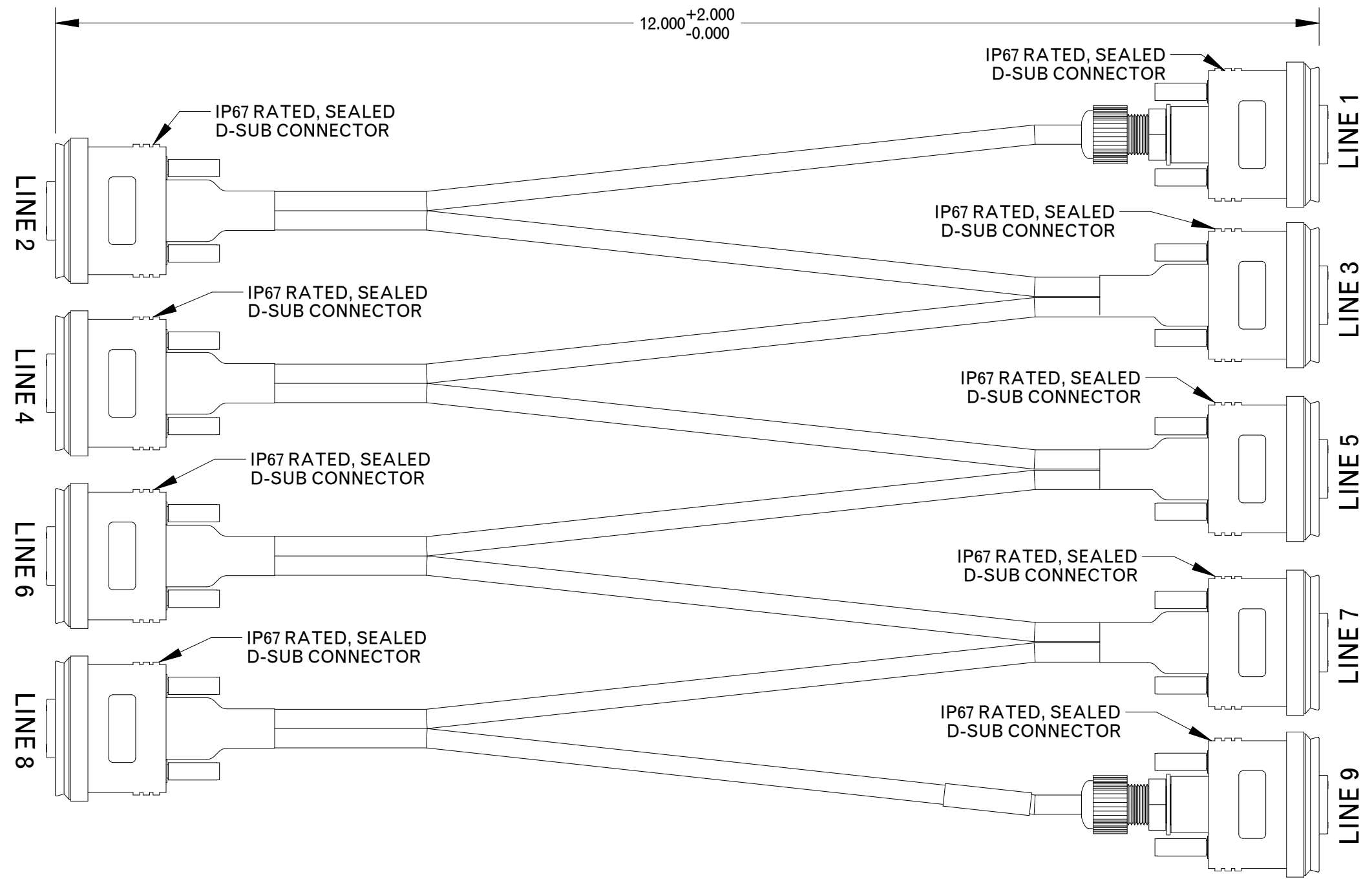
B

C

C

D

D



- NOTES:
1. REFERENCE SYNQOR SPECIFICATION 705-1000318
 2. 24 AWG SHIELDED WIRE WITH 8 CONDUCTORS, 4 TWISTED PAIRS, CMP RATED WIRE.
INSULATION: TPE 350V, -50 C TO 90 C.
 3. NOMINAL WIRE DIAMETER: 0.252"
 4. WEIGHT: TBD

TOLERANCES:
 Unless otherwise specified:
 All dimensions in inches
 .X +/- .025
 .XX +/- .010
 .XXX +/- .005
 Angles +/- 1°

Third Angle Projection

THIS DRAWING IS THE PROPERTY OF SYNQOR LLC.
 It is not to be reproduced or copied, in whole or in part, or used for furnishing information to others, or for any purpose detrimental to the interests of SynQor. The information shown herein may be protected by patents owned or controlled by SynQor.

SynQor 155 Swanson Road
 Boxborough, MA 01719-1316

9 UNIT PARALLEL SYNC CONFIGURATION CABLE

SOURCE: PRO/E SYN-9349_A

SIZE	DATE	DWG. NO.	REV
B	MAY-20-21	SYN-9349	A

SCALE: 0.700 DRAWN: KJD CHECK: SHEET 1 of 2

1

2

3

4

A

B

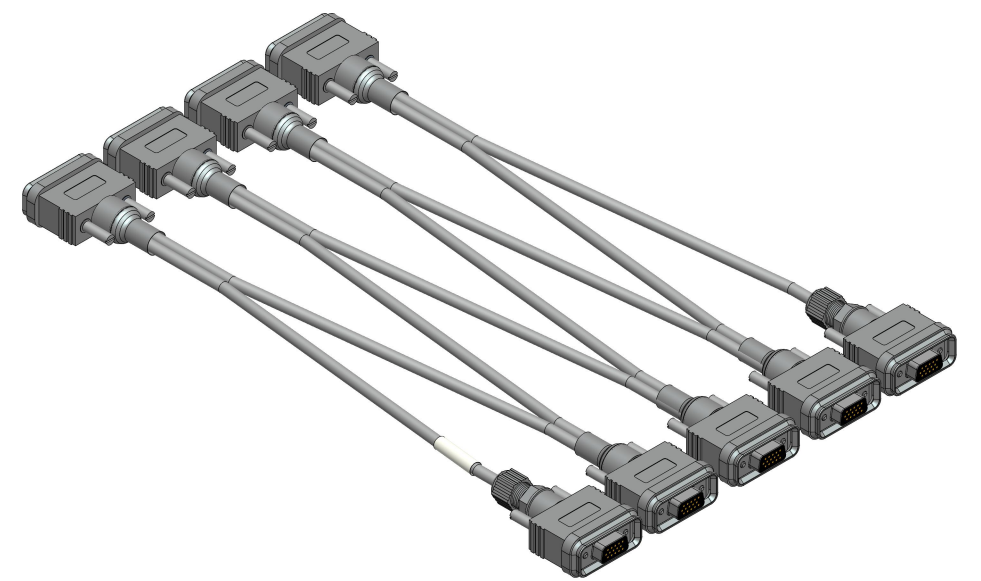
C

D

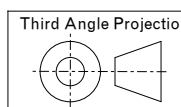

CONNECTOR / PIN #	COLOR	DESCRIPTION	CONNECTOR / PIN #	TWISTED PAIR #
LINE2 / 1*	BROWN	CH1_B	LINE1 / 1	PAIR 1
			LINE3 / 1*	
LINE2 / 2*	WHITE	CH1_A	LINE1 / 2	PAIR 1
			LINE3 / 2*	
LINE2 / 3*	GRAY	GROUND	LINE1 / 3	PAIR 2
			LINE3 / 3*	
N/C	PINK	NOT USED	N/C	
LINE2 / 4*	YELLOW	CH2_B	LINE1 / 4	PAIR 3
			LINE3 / 4*	
LINE2 / 5*	GREEN	CH2_A	LINE1 / 5	PAIR 3
			LINE3 / 5*	
LINE2 / 14*	RED	CAN_HI	LINE1 / 14	PAIR 4
			LINE3 / 14*	
LINE2 / 15*	BLUE	CAN_LO	LINE1 / 15	PAIR 4
			LINE3 / 15*	
LINE4 / 1*	BROWN	CH1_B	LINE3 / 1*	PAIR 1
			LINE5 / 1*	
LINE4 / 2*	WHITE	CH1_A	LINE3 / 2*	PAIR 1
			LINE5 / 2*	
LINE4 / 3*	GRAY	GROUND	LINE3 / 3*	PAIR 2
			LINE5 / 3*	
N/C	PINK	NOT USED	N/C	
LINE4 / 4*	YELLOW	CH2_B	LINE3 / 4*	PAIR 3
			LINE5 / 4*	
LINE4 / 5*	GREEN	CH2_A	LINE3 / 5*	PAIR 3
			LINE5 / 5*	
LINE4 / 14*	RED	CAN_HI	LINE3 / 14*	PAIR 4
			LINE5 / 14*	
LINE4 / 15*	BLUE	CAN_LO	LINE3 / 15*	PAIR 4
			LINE5 / 15*	
LINE6 / 1*	BROWN	CH1_B	LINE5 / 1*	PAIR 1
			LINE7 / 1*	
LINE6 / 2*	WHITE	CH1_A	LINE5 / 2*	PAIR 1
			LINE7 / 2*	
LINE6 / 3*	GRAY	GROUND	LINE5 / 3*	PAIR 2
			LINE7 / 3*	
N/C	PINK	NOT USED	N/C	
LINE6 / 4*	YELLOW	CH2_B	LINE5 / 4*	PAIR 3
			LINE7 / 4*	
LINE6 / 5*	GREEN	CH2_A	LINE5 / 5*	PAIR 3
			LINE7 / 5*	
LINE6 / 14*	RED	CAN_HI	LINE5 / 14*	PAIR 4
			LINE7 / 14*	
LINE6 / 15*	BLUE	CAN_LO	LINE5 / 15*	PAIR 4
			LINE7 / 15*	

CONNECTOR / PIN #	COLOR	DESCRIPTION	CONNECTOR / PIN #	TWISTED PAIR #
LINE8 / 1*	BROWN	CH1_B	LINE7 / 1*	PAIR 1
			LINE9 / 1	
LINE8 / 2*	WHITE	CH1_A	LINE7 / 2*	PAIR 1
			LINE9 / 2	
LINE8 / 3*	GRAY	GROUND	LINE7 / 3*	PAIR 2
			LINE9 / 3	
N/C	PINK	NOT USED	N/C	
LINE8 / 4*	YELLOW	CH2_B	LINE7 / 4*	PAIR 3
			LINE9 / 4	
LINE8 / 5*	GREEN	CH2_A	LINE7 / 5*	PAIR 3
			LINE9 / 5	
LINE8 / 14*	RED	CAN_HI	LINE7 / 14*	PAIR 4
			LINE9 / 14	
LINE8 / 15*	BLUE	CAN_LO	LINE7 / 15*	PAIR 4
			LINE9 / 15	
LINE1/8	N/A	CABLE ID	LINE1/10*	JUMPER
LINE1/9	N/A	CABLE ID	LINE1/10*	JUMPER
LINE1/12	N/A	CABLE ID	LINE1/10*	JUMPER
LINE2/8	N/A	CABLE ID	LINE2/10*	JUMPER
LINE2/9	N/A	CABLE ID	LINE2/10*	JUMPER
LINE2/12	N/A	CABLE ID	LINE2/10*	JUMPER
LINE3/8	N/A	CABLE ID	LINE3/10*	JUMPER
LINE3/9	N/A	CABLE ID	LINE3/10*	JUMPER
LINE3/12	N/A	CABLE ID	LINE3/10*	JUMPER
LINE4/8	N/A	CABLE ID	LINE4/10*	JUMPER
LINE4/9	N/A	CABLE ID	LINE4/10*	JUMPER
LINE4/12	N/A	CABLE ID	LINE4/10*	JUMPER
LINE5/8	N/A	CABLE ID	LINE5/10*	JUMPER
LINE5/9	N/A	CABLE ID	LINE5/10*	JUMPER
LINE5/12	N/A	CABLE ID	LINE5/10*	JUMPER
LINE6/8	N/A	CABLE ID	LINE6/10*	JUMPER
LINE6/9	N/A	CABLE ID	LINE6/10*	JUMPER
LINE6/12	N/A	CABLE ID	LINE6/10*	JUMPER
LINE7/8	N/A	CABLE ID	LINE7/10*	JUMPER
LINE7/9	N/A	CABLE ID	LINE7/10*	JUMPER
LINE7/12	N/A	CABLE ID	LINE7/10*	JUMPER

CONNECTOR / PIN #	COLOR	DESCRIPTION	CONNECTOR / PIN #	TWISTED PAIR #
LINE8/8	N/A	CABLE ID	LINE8/10*	JUMPER
LINE8/9	N/A	CABLE ID	LINE8/10*	JUMPER
LINE8/12	N/A	CABLE ID	LINE8/10*	JUMPER
LINE9/8	N/A	CABLE ID	LINE9/10*	JUMPER
LINE9/9	N/A	CABLE ID	LINE9/10*	JUMPER
LINE9/12	N/A	CABLE ID	LINE9/10*	JUMPER



* NOTE = DOUBLE WIRE CONNECTIONS

TOLERANCES: Unless otherwise specified: All dimensions in inches .X +/- .025 .XX +/- .010 .XXX +/- .005 Angles +/- 1°					155 Swanson Road Boxborough, MA 01719-1316			
	9 UNIT PARALLEL SYNC CONFIGURATION CABLE				SOURCE: PRO/E SYN-9349_A			
THIS DRAWING IS THE PROPERTY OF SYNQOR LLC. It is not to be reproduced or copied, in whole or in part, or used for furnishing information to others, or for any purpose detrimental to the interests of SynQor. The information shown herein may be protected by patents owned or controlled by SynQor.	SIZE B	DATE MAY-20-21	DWG. NO. SYN-9349	REV A	SCALE: 0.300	DRAWN: KJD	CHECK:	SHEET 2 of 2